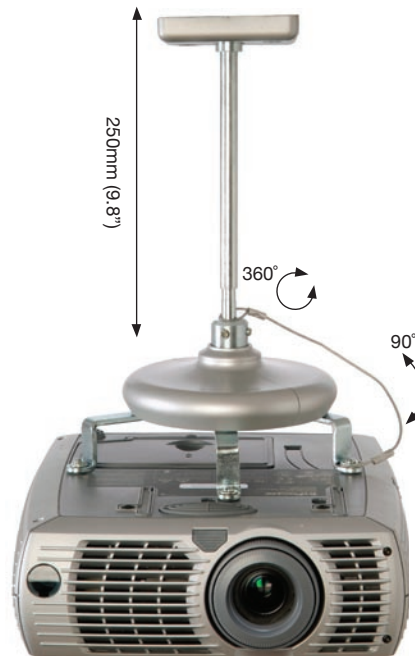
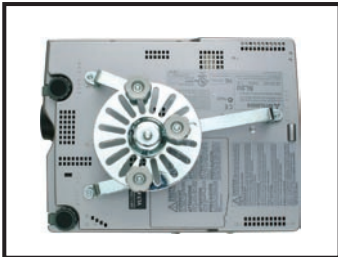


## BT881

### PROJECTOR CEILING MOUNT

- Use flush to ceiling - only 135mm (5.3") drop to top of projector or with extension – only 385mm (15.2") drop
- 360° Swivel at mount
- 90° Tilt facility
- Safety wire for extra security
- Includes universal mount to fit LCD / DLP projectors
- Unique carousel mount for simple installation with all mounting hardware included
- Maximum distance between any 2 fixing points: 340mm (13.4")
- Coverplates included for smart installation
- Suitable for projectors using M3, M4, M5 and M6 fixings
- Available in Silver

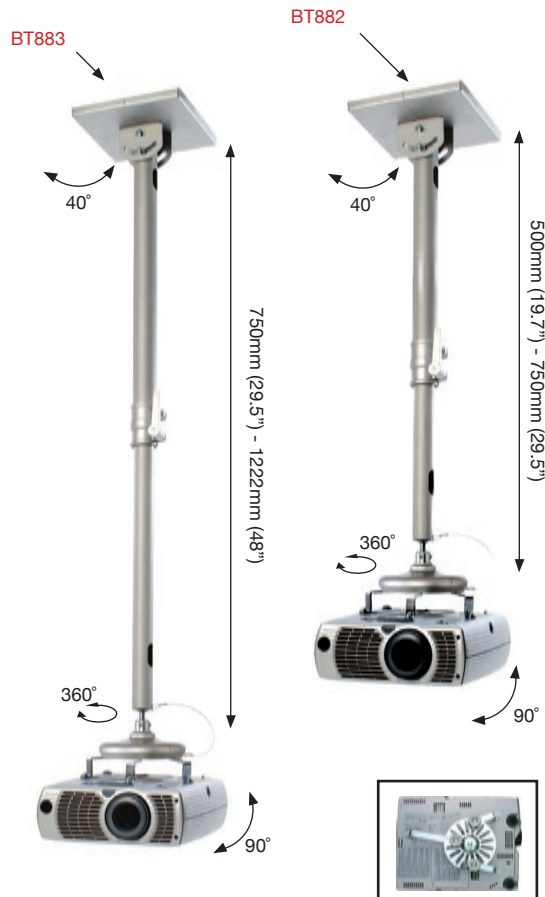


Registered Design No.  
3016251

## BT882 + BT883

### PROJECTOR CEILING MOUNT WITH EXTENSION ARM

- **BT882 adjustable ceiling drop: 500mm (19.7") - 750mm (29.5")**
- **BT883 adjustable ceiling drop: 750mm (29.5") - 1222mm (48")**
- Outer tube diameter: 42mm (1.7")
- Inner tube diameter: 35mm (1.4")
- 40° Tilt of pole for angled ceilings
- Hand lever allows easy adjustment of ceiling drop
- Safety wire for extra security
- Cable management holes
- Includes universal mount to fit LCD / DLP projectors
- Unique carousel mount for simple installation with all mounting hardware included
- Maximum distance between any 2 fixing points: 340mm (13.4")
- Coverplates included for smart installation
- Suitable for projectors using M3, M4, M5 and M6 fixings
- Available in Silver



Registered Design No.  
3016251