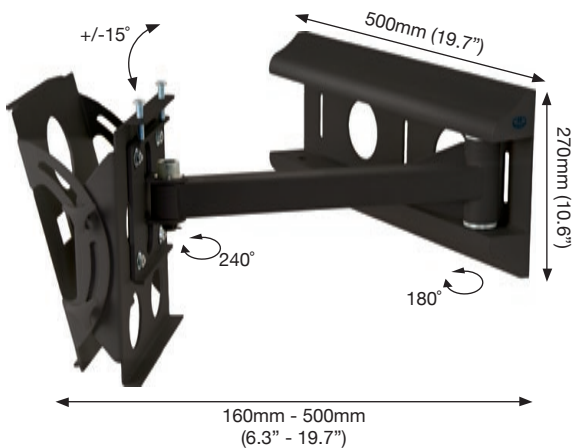


BT8413

HEAVY DUTY FLAT SCREEN WALL MOUNT WITH SINGLE ARM EXTENSION

- Suitable for VESA & Non-VESA screens between 32" – 60"
- Mounts screens from 160mm (6.3") - 500mm (19.7") from wall
- Tilts +/-15°
- Two swivel points: 180° at wall, 240° at interface
- Horizontal screen levelling & screen can be mounted in landscape or portrait orientation
- Suitable for concrete / brick or stud walls up to 16"
- Choice of 5 arm mounting positions on wall plate
- Features post installation screen levelling
- Simple installation with all mounting hardware included
- Includes universal flat screen interface kit



Screen Size	32" - 60"	
Max. Weight	70Kg (150lbs)	
Distance From Wall	160mm (6.3") - 500mm (19.7")	
Max. Distance Between Fixings	H: 284mm (11.1") - 970mm (38.1")	V: 500mm (19.7")
Tilt	+/-15°	
Swivel	180°, 240°	
VESA	75 x 75 100 x 100 200 x 100 200 x 200 400 x 200	300 x 200 300 x 300 400 x 400 600 x 400 800 x 400

Colours Available **Black**



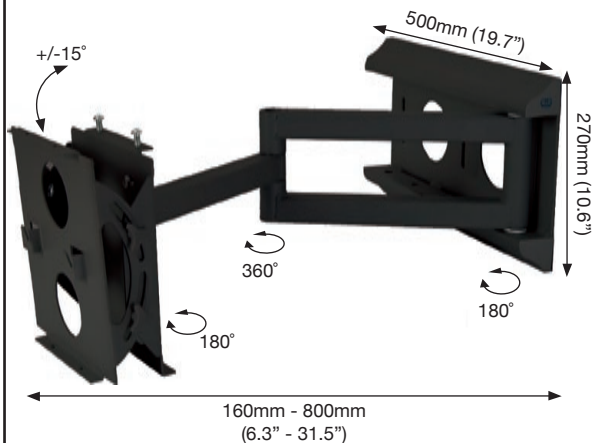
Registered Design No.
3015405



BT8412

HEAVY DUTY FLAT SCREEN WALL MOUNT WITH DOUBLE ARM EXTENSION

- Suitable for VESA & Non-VESA screens between 32" – 60"
- Mounts screens from 160mm (6.3") - 800mm (31.5") from wall
- Tilts +/-15°
- Three swivel points: 180° at wall, 360° at central pivot & 240° at interface
- Horizontal screen levelling & screen can be mounted in landscape or portrait orientation
- Suitable for concrete / brick or stud walls up to 16"
- Choice of 5 arm mounting positions on wall plate
- Features post installation screen levelling
- Simple installation with all mounting hardware included
- Includes universal flat screen interface kit



Screen Size	32" - 60"	
Max. Weight	70Kg (150lbs)	
Distance From Wall	160mm (6.3") - 800mm (31.5")	
Max. Distance Between Fixings	H: 280mm (11") - 970mm (38.1")	V: 500mm (19.7")
Tilt	+/-15°	
Swivel	180°, 360°, 180°	
VESA	75 x 75 100 x 100 200 x 100 200 x 200 400 x 200	300 x 200 300 x 300 400 x 400 600 x 400 800 x 400

Colours Available **Black**



Registered Design No.
3015405

